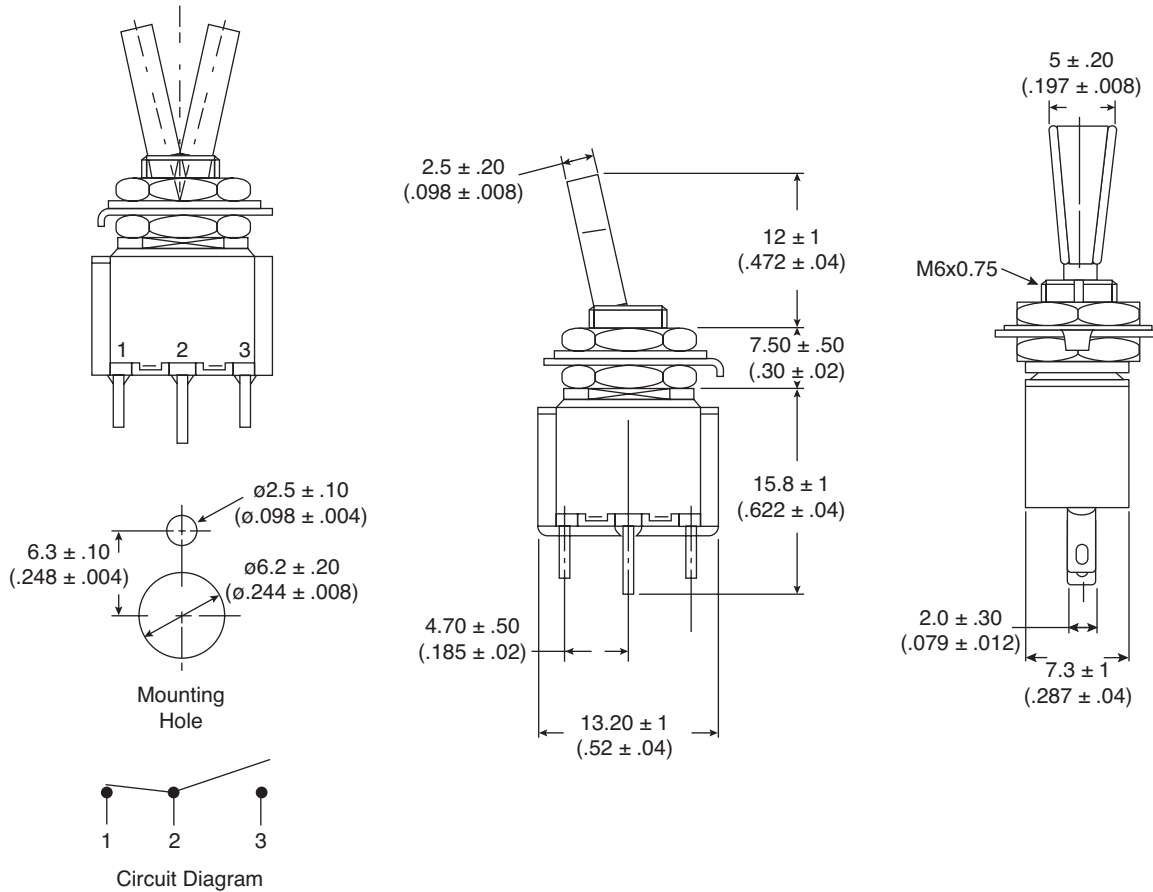


Dimensions: mm (in.)



Electrical Specifications:

- Rating: 6A/125VAC, 3A/250VAC
- Contact Resistance: 50m Ω max
- Insulation Resistance: 500VDC 100M Ω min.
- Dielectric Strength: 1000VAC for 1 minute

Mechanical Specifications:

- Operating Temperature: -20°C ~ 65°C
- Circuit: 3P SPDT On-On

Note:

- RoHS Compliant by exemption

Toggle Switch
1055-TA2130B-EVX

